



Lilyum



Lilyum

A FLOWER TO DEFEAT BREAST CANCER!



Excellent imaging technology combined with a modern, ergonomic and winning design for highest patient comfort.

New features to improve operation efficiency such as:

- C-Arm integrated patient and operator hand rail
- Control panel positioning possible on either side of the unit
- Fully balanced C-Arm with every table size
- User programmable projections views

X-Ray Generator data:

- High Frequency: 100 kHz ripple
- Power: 5 kW
- kV Range: 20 - 35 kV (steps of 0.5 kV)
- mAs range: 1 - 640 mAs



The **LILYUM** in standard version is supplied with a X-Ray tube with Molybdenum anode and Molybdenum filter.



Different X-Ray tubes can be chosen:

- with bimetallic anode (Mo and W)
- with biangular anode (10° and 16°)
- high speed tube (9.000 rpm)

Besides, optionally is available an automatic interchangeable filter (Molybdenum 30 µm/Rhodium 30 µm).

Operators will appreciate the brightness and efficient design of the **LILYUM's** LCD graphic display on which are indicated the exposure parameters and the following data:

- "C" Arm angle rotation
- Effectively applied compression force
- Compressed breast thickness
- Average Glandular Dose
- HU level of tube assembly



An auxiliary display placed frontally on the bottom of the unit is available on request. It shows the following data:

- C-Arm angle rotation
- Effectively applied compression force
- Compressed breast thickness

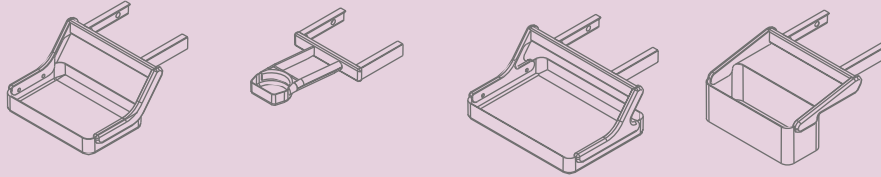
TUBE AND FILTERS

H. F. GENERATOR

DISPLAYS

Lilyum

Patients will appreciate the new compression system “**μPress**” allowing a correct and at the same time more comfortable compression as the descending compression paddle speed is in inverse relation to the compression force applied.



Higher patient comfort is also achieved by newly designed compression paddles with softly curved and smooth lines available in different formats.

Metaltronica srl - Mammo Unit Management Software -

Calibration File Functions Transfer Options

pLog	mAs high	i high	OD high	mAs low	i low	OD low
30	77.5	339	1.75	64.9	284	1.4
59	27.5	230	1.63	25.4	211	1.48
103	7.6	158	1.68	6.5	134	1.41

Reload test
 Change
 Discard changes

Waiting for emission... Reference O.D. 1.6

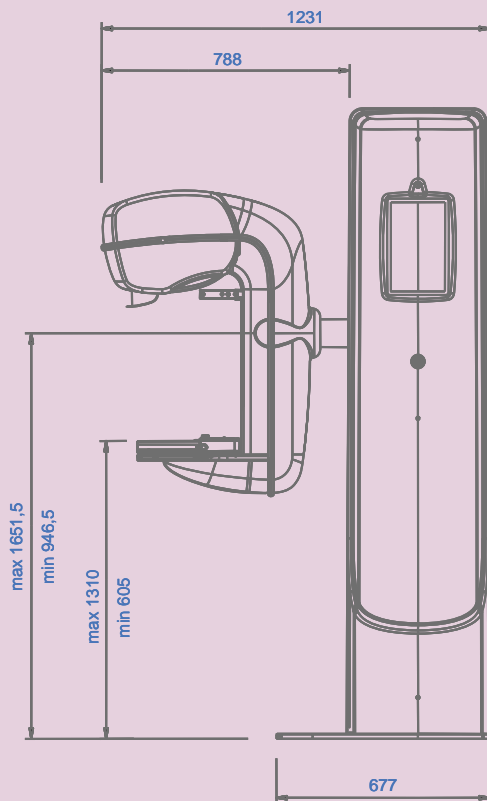
Really innovative is the LILYUM's intelligent and microprocessor controlled automatic exposure device enhanced by the new calibration software **ULTRA**.

This standard feature makes the mammography system's installation incredibly rapid and simple.

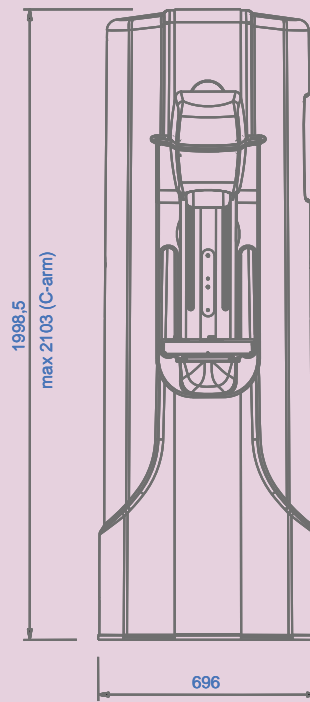
O.D. linearity exceeds QA protocols. Film and CR operation also guaranteed by means of special AEC characteristics. **ULTRA** includes state of the art diagnostic functions and data logger for easy service.

ULTRA SOFTWARE

LATERAL VIEW



FRONT VIEW



Weight: 250 kg

“μPress” SYSTEM

DIMENSIONS AND WEIGHT

Lilyum

TECHNICAL FEATURES

- High frequency X-Ray generator:
 - 5 kW power, 100 kHz ripple
 - 20 ÷ 35 kV (0,5 kV step)
 - 1 ÷ 640 mAs
- "C" Arm perfectly counterbalanced with each Potter-Bucky format:
 - motorized up/down movement
 - manual rotation with electromagnetic brake (+/- 180°)
- X-Ray tube, molybdenum anode, dual focal spot 0.1 and 0.3 mm
- Fixed focus film distance 65 cm
- Motor-driven (with friction) and manual compression device with safety release
- Adjustable compression force
- Interactive digital control panel with graphic display showing exposure parameters, for messages to the operator in different languages to be selected during installation
- Additional display on unit bottom with digital indication of angle rotation, effectively applied compression force and compressed breast thickness
- AGD (Average Glandular Dose) measurement
- Automatic Exposure Control (AEC) device, fitted with triple field solid state detector selectable from control panel, with the following possibilities:
 - fully automatic "ZERO POINT" technique (automatic kV, automatic mAs)
 - semi-automatic "ONE POINT" technique (manual kV, automatic mAs)
 - manual "TWO POINTS" technique (manual kV, manual mAs)
 - 11 levels of radiographic density
- Three serial ports for printing device, calibration, last 1300 exposure parameters memory transfer

- 18x24 cm Potter Bucky with carbon fiber grid, inclusive of marking device of projections on film (interchangeable with 24x30 cm Potter Bucky or with other image receptors)
- 18x24 cm collimation plate
- Shifted compression paddle, for 18x24 cm format
- **ULTRA**, software for advanced automatic exposure control calibration with a maximum of 16 selectable film-screen combinations fully programmable (3 dedicated to CR cassettes)
- One pair of compression foot pedal switch
- X-ray control push-button with extensible cable
- Phantom for complete daily check of the mammography system
- PC cable

OPTIONAL ACCESSORIES

- 24x30 cm Potter Bucky with carbon fiber grid, inclusive of marking device of projections on film (interchangeable with 18x24 cm Potter Bucky or with other image receptors)
- **FILTROMAMM**, automatic filter interchangeable Rh/Mo (motorized movement)
- Bimetallic Anode X-Ray tube (double material anode)
- Biangular Anode X-Ray tube
- High speed starter
- 18x24/24x30 cm automatic collimator
- Collimation plate for magnification
- Compression paddle for magnification
- Shifted compression paddle for 24x30 cm format
- Shifted compression paddle for axillary examen
- Device for geometric magnification complete of cassette holder without grid and with magnification ratio continuously variable
- Lexan screen for protection of the X-Ray field from parts not under examination
- Second pair of compression foot/pedal
- Anti-X glass shield for operator protection



Via della Pisana, 431 - 00163 Rome - Italy
Phone +39-06-66160206 - Fax +39-06-66160357

STANDARD ACCESSORIES